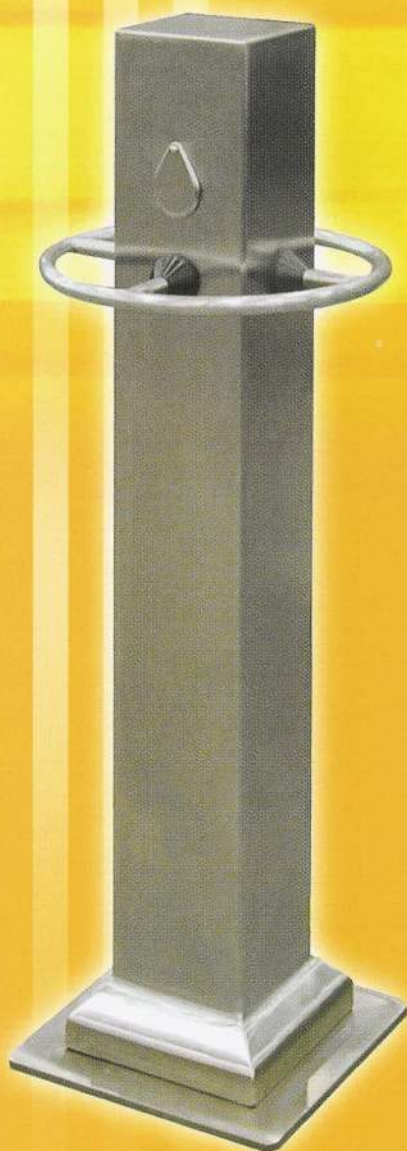


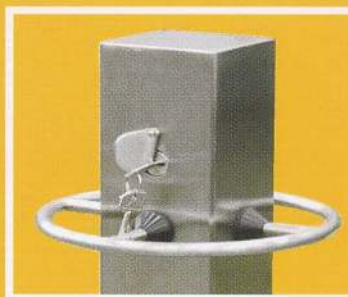
SIBLI inox

- Armoured stainless steel square post fitted with a high security "pump" lock
- Designed for access protection easy to remove by a custom-toothed key

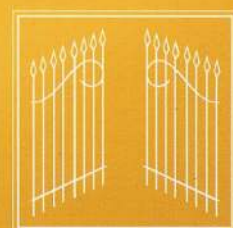


A removable, square post made of armoured, stainless steel to provide access control with passageways or protection with special places. Aesthetically perfect and stylishly designed to suit any site applications, combined with an extreme resistance to crash attempts, having an internal core made of hardened steel.

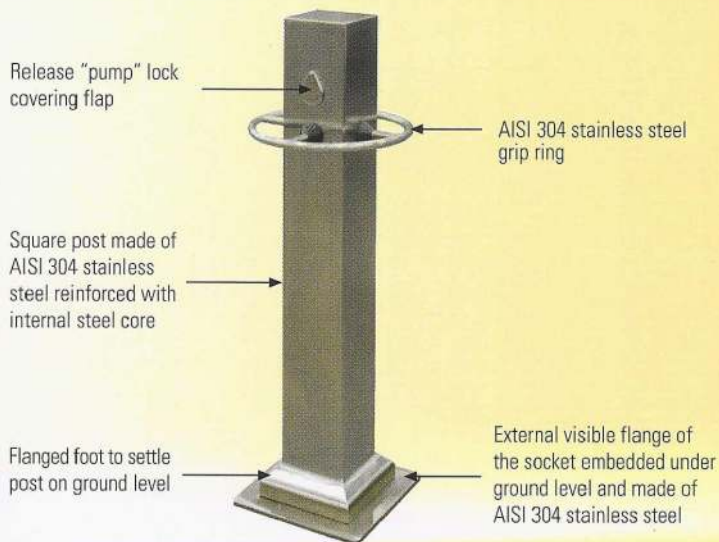
Peculiar with SIBLI is the possibility of being completely removed from its seat, which is embedded into a concrete foundation. A custom-toothed key allows the locking mechanism, consisting of a high security "pump" lock, to be manually released before removing the post; a roller is fitted to the post spigot to facilitate removal without physical efforts or damages to the unit.



Detail of the pump lock, highly secure and easy to release



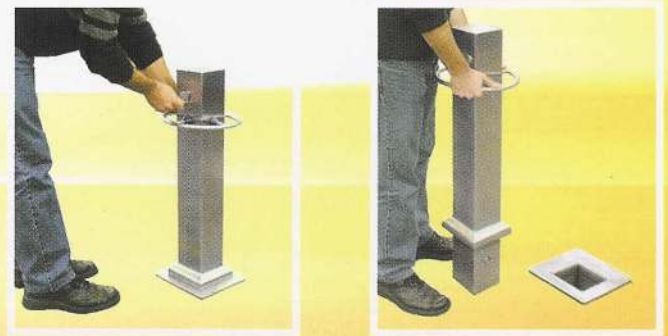
Technical specifications



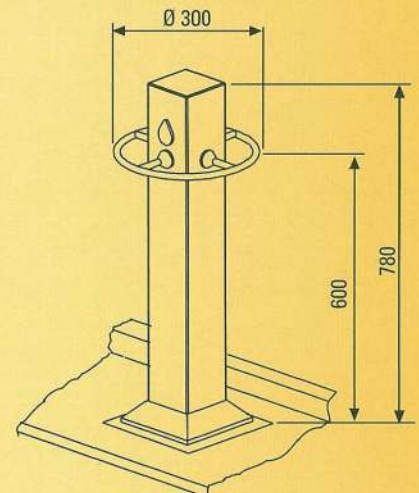
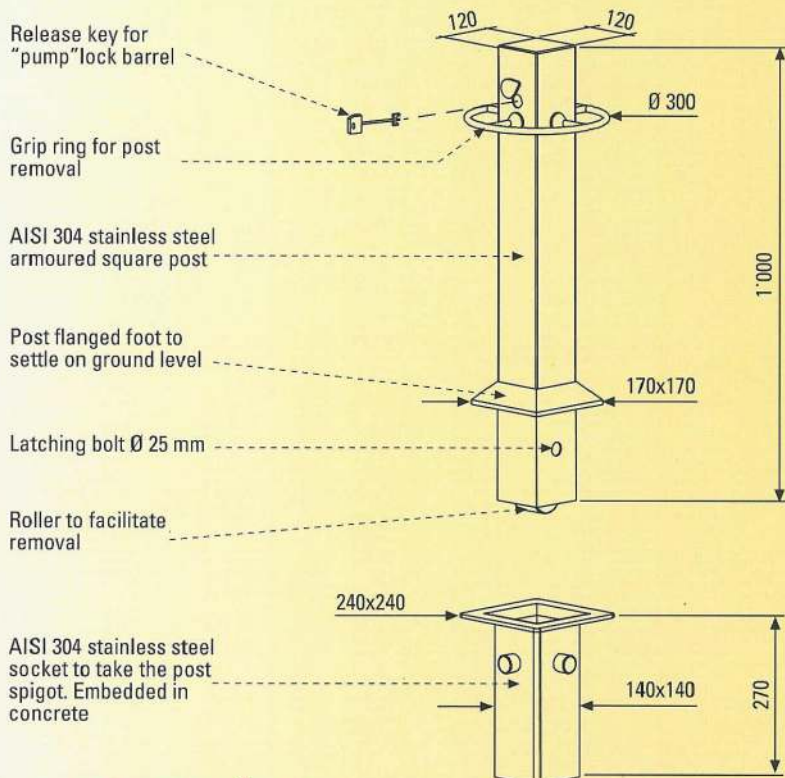
A detail of the security latching bolt \varnothing 25 mm

Removal of the post

Push the lock covering flap aside and insert the key in the "pump" lock barrel and push it firmly, then give two turns. Hold the post by the grip ring and lift it out of the socket: a roller fitted to the spigot fitting end allows you to drag the post in an easy way.
Provide a cover for the socket in the ground in case of prolonged removal.



Overall dimensions and component parts



Dimensions of SIBLI fitted

CRASH RESISTANCE 1'000 Kg AT 50 Km/h